

SOLAR COMBINER BOX

POWER DISTRIBUTION

The Power Assemblies' 1500VDC Solar Combiner Boxes are engineered to optimize grid-tied 1500V PV system applications by allowing you to increase the length of strings, reduce wiring complexity, minimize labor costs, and lower total installation cost. This combiner box is available with a NEMA 4 or 4X enclosure, with up to 19 inputs and 32A fuses. Additional customizations are available by request.

STANDARD ENCLOSURES

- NEMA 4X: Fiberglass
- NEMA 4X: Polycarbonate
- NEMA 4X: Stainless Steel
- NEMA 4: Steel | Powder Coated

APPLICATIONS

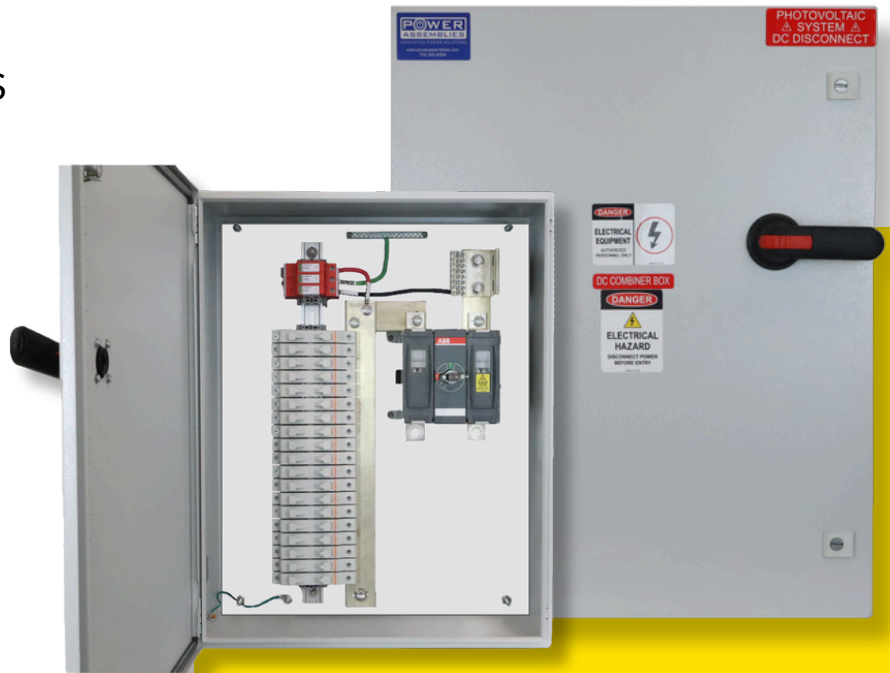
- Solar Micro-Grids
- Solar Water Pump
- Off-Grid Solar Systems
- Industrial Fleet Installation

AVAILABLE OPTIONS

- Dual Output Lugs
- Drilled Entrance Holes
- Compression Output Lugs
- System Protected 400A Fuses
- Installed Conduit Fitting or Cable Glands
- Additional Custom Options Offered At Request

FEATURES

- Surge Protection
- Lockable Enclosures
- Installed Breather Vent or Drain
- High-Temperature Output Terminals: Rated for 90°C
- Integral Disconnect: Available in 400A for Added Safety
- Lexan Shield: Covers All Live Components for Enhanced Safety
- Continuous Duty Rating: Operates Seamlessly at Up to 1500 VDC
- Touch-Safe Fuse Holders: Ensuring User Protection During Maintenance
- Versatile Configuration: Designed for Both Positive and Negative Grounded Arrays*



FLEXIBLE MOUNTING CAPABILITIES



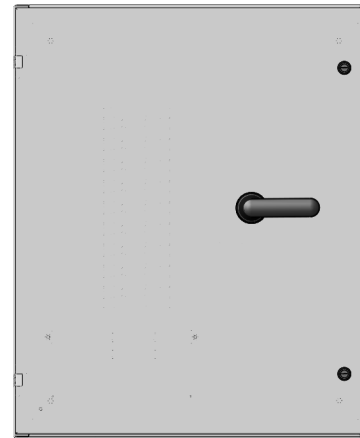
NON-FUSIBLE 2P SAFETY DISCONNECT



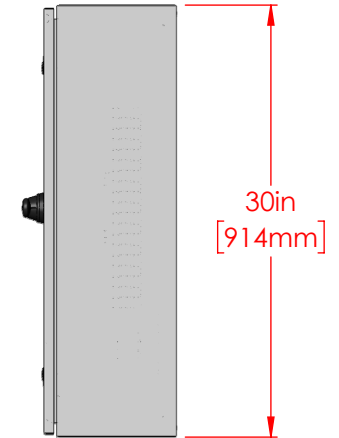
COMPACT DESIGN

SOLAR COMBINER BOX

- 400A/1500VDC CAPABILITY
- NEMA RATED ENCLOSURE

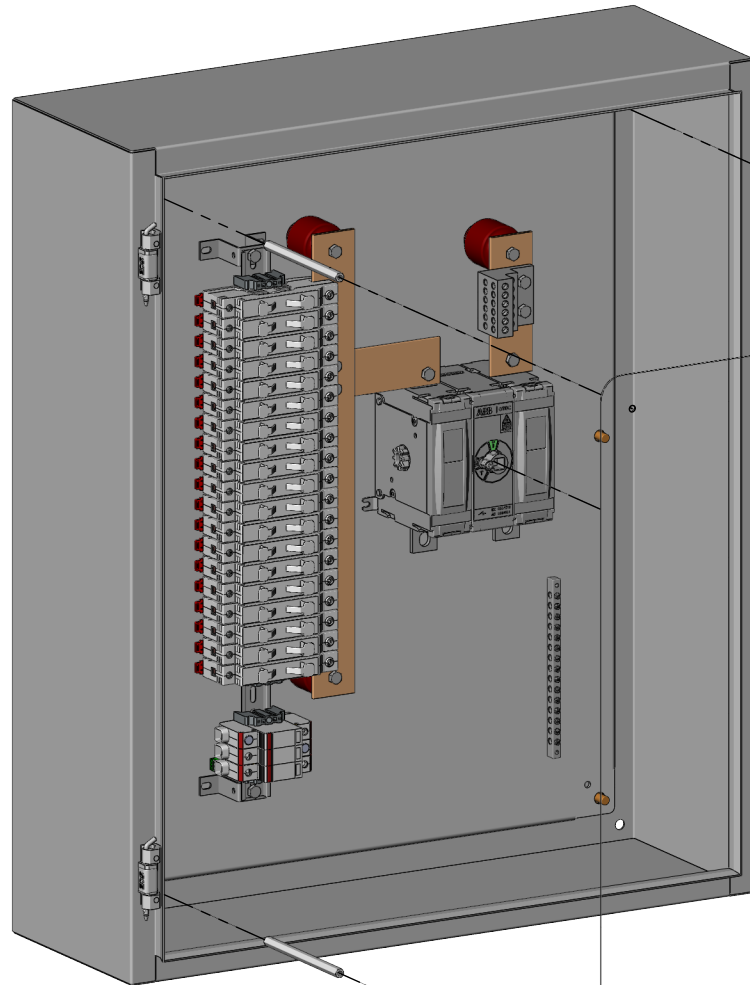


24in
[762mm]

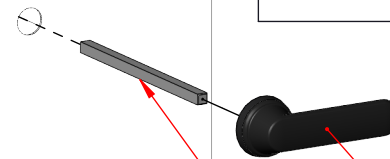


30in
[914mm]

8in
[260mm]



*The enclosure door is not shown for visual purposes



DC SWITCH HANDLE

DC SWITCH SHAFT

CLEAR LEXAN
PLASTIC SHIELD



2

1

B

B

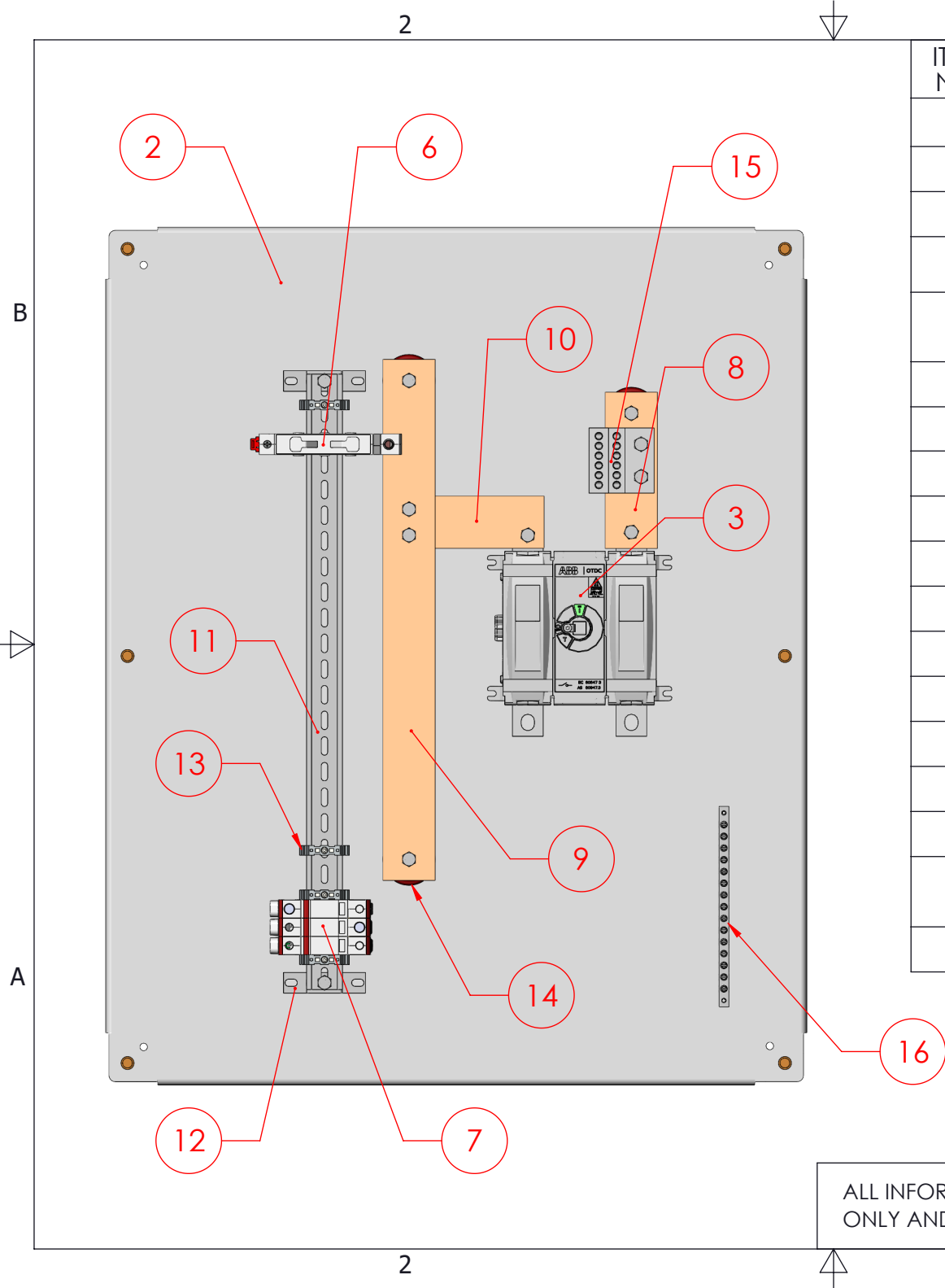
A

A

2

1





ITEM NO.	DESCRIPTION	QTY.
1	STEEL CABINET 30"x24"x8" (NOT SHOWN)	1
2	BACKPLATE 33"x27"x.88"	1
3	DC Switch 400A/1500VDC	1
4	HANDLE FOR DC SWITCH (NOT SHOWN)	1
5	SHAFT FOR DC SWITCH HANDLE (NOT SHOWN)	1
6	PHOTOVOLTAIC FUSE HOLDER	19
7	SURGE PROTECTOR DEVICE 1500VDC	1
8	COPPER BUSBAR 6"	1
9	COPPER BUSBAR 20"	1
10	COPPER BUSBAR 6"	1
11	DIN RAIL 24"	1
12	DIN RAIL MOUNTING BRACKET	2
13	DIN RAIL STOPPING BLOCK	4
14	GLASTIC STANDOFFS	3
15	NEGATIVE TERMINAL BLOCK (12 HOLE)	1
16	GROUND BAR (16 HOLE)	1
17	STANDOFFS FOR PLASTIC SHIELD (NOT SHOWN)	4
18	LEXAN PLASTIC SHIELD (NOT SHOWN)	1

ALL INFORMATION SHOWN IS FOR REFERENCE ONLY AND SHOULD NOT BE CONSIDERED FINAL.

