

product specifications for:

# CLS 40 Panel Mounts

## Item #: CLS40MRSB

### Description

CAM CLS 40 1-1/8" threaded stud Male Panel Mount

### Electrical Specifications

Max. Amperage: 400A

Max. Voltage: 600V AC/DC

### Material Specifications

Housing Material: Santoprene TPV

Contact Material: Brass

Temperature Rating: -40°C to 105°C

### Mechanical Specification

Gender: Male

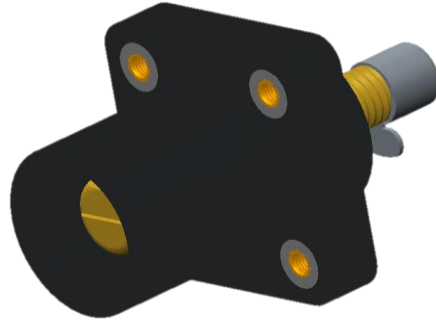
Connection Type: 1/2"-13 X 1.125" threaded stud

(Torque to 25 ft.-lbs., do not over tighten)

Mounting: Brass eyelet for #10-32 bolt

(Bolts Not Provided)

Optional drilled out version (X) for #10-32 nut and bolt

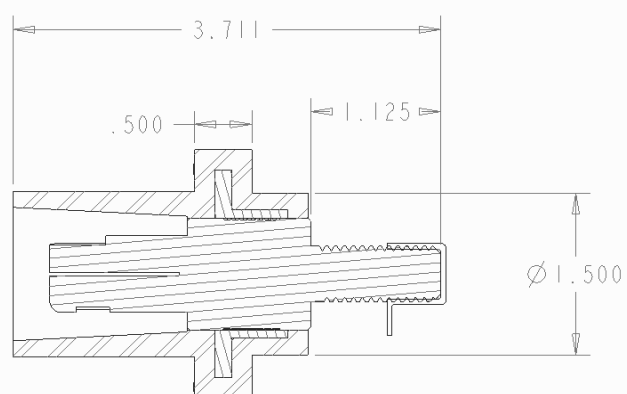
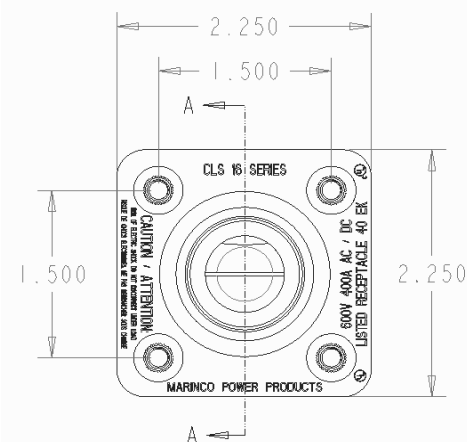


### Standards and Certifications

UL Listed: File E111198

Environmental Rating: Type 3R & 4

Example: CLS40MRSB + **A** = CLS40MRSB-A



SECTION A-A