

product specifications for: CLS 40 Panel Mounts

Item #: CLS40MRB

Description

CAM CLS 40 Double Set Screw Male Panel Mount

Electrical Specifications

Max. Amperage: 400A

Max. Voltage: 600V AC/DC

Material Specifications

Housing Material: Santoprene TPV

Contact Material: Brass

Temperature Rating: -40°C to 105°C

Mechanical Specification

Gender: Male

Connection Type: Double Set Screw

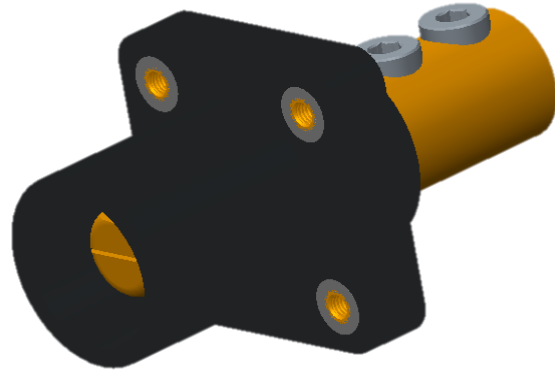
(Torque to 150 in.-lbs., do not over tighten)

Cable Range: 2/0 – 4/0 AWG

Mounting: Brass eyelet for #10-32 bolt

(Bolts Not Provided)

Optional drilled out version (X) for #10-32 nut and bolt



Standards and Certifications

UL Listed: File E111198

Environmental Rating: Type 3R & 4

Example: CLS40MRB + **A** = CLS40MRB-A

