

product specifications for:

# CLS 16 series Panel Mounts

## Item #: CLS40FRB

### Description

CAM CLS 40 Double Set Screw Female Panel Mount

### Electrical Specifications

Max. Amperage: 400A

Max. Voltage: 600V AC/DC

### Material Specifications

Housing Material: Santoprene TPV

Contact Material: Brass

Temperature Rating: -40°C to 105°C

### Mechanical Specification

Gender: Female

Connection Type: Double Set Screw

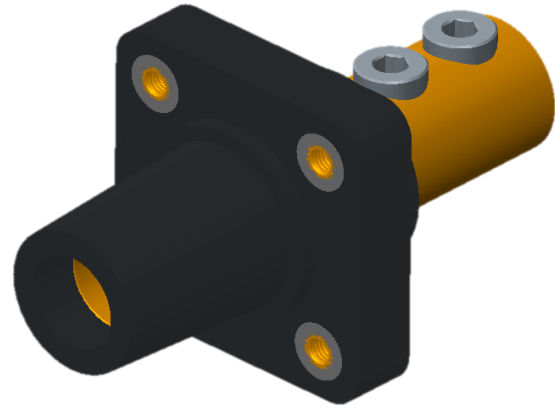
(Torque to 150 in.-lbs., do not over tighten)

Cable Range: 2/0 – 4/0 AWG

Mounting: Brass eyelet for #10-32 bolt

(Bolts Not Provided)

Optional drilled out version (X) for #10-32 nut and bolt



### Standards and Certifications

UL Listed: File E111198

Environmental Rating: Type 3R &4

Example: CLS40FRB + **A** = CLS40FRB-A

