

product specifications for:  
**CLS 45 Degree Panel Mounts**

**Item #: CLS45FRSB**

**Description**

CAM CLS 45 1-1/8" threaded stud Female Panel Mount

**Electrical Specifications**

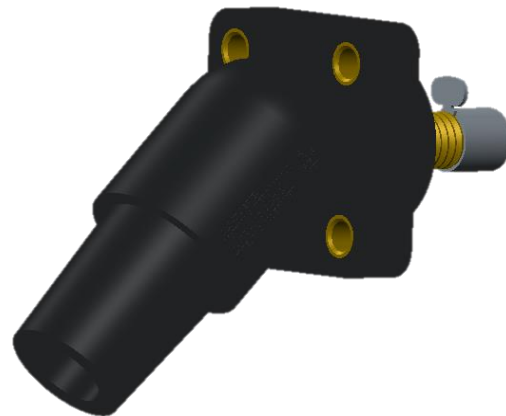
Max. Amperage: 400A  
Max. Voltage: 600V AC/DC

**Material Specifications**

Housing Material: Santoprene TPV  
Contact Material: One piece solid Brass  
Temperature Rating: -40°C to 105°C

**Mechanical Specification**

Gender: Female  
Connection Type: 1/2"-13 X 1.125" threaded stud  
(Torque to 25 ft.-lbs., do not over tighten)  
Mounting: Brass eyelet for #10-32 through bolt  
(Bolts Not Provided)



**Standards and Certifications**

UL Listed: File E111198  
Environmental Rating: Type 3R & 4

Example: CLS45FRSB + **A** = CLS45FRSB-A

