

product specifications for:

# CLS 45 Degree Panel Mounts

## Item #: CLS45FRB

### Description

CAM CLS 45 Double Set Screw Female Panel Mount

### Electrical Specifications

Max. Amperage: 400A

Max. Voltage: 600V AC/DC

### Material Specifications

Housing Material: Santoprene TPV

Contact Material: One piece solid Brass

Temperature Rating: -40°C to 105°C

### Mechanical Specification

Gender: Female

Connection Type: Double Set Screw

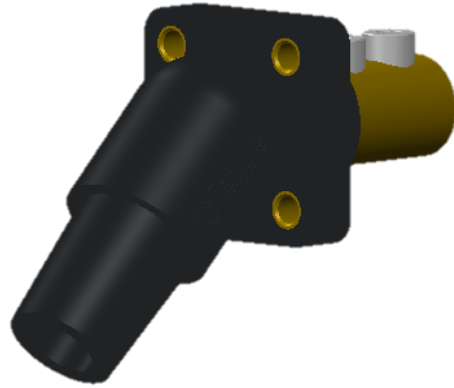
(Torque to 150 in.-lbs., do not over tighten)

Cable Range: 2/0 – 4/0 AWG

Mounting: Brass eyelet for #10-32 through bolt  
(Bolts Not Provided)

Example: CLS45FRB + **A** = CLS45FRB-A

**A** **B** **C** **D** **E** **F** **G** **H**



### Standards and Certifications

UL Listed: File E111198

Environmental Rating: Type 3R &4

